
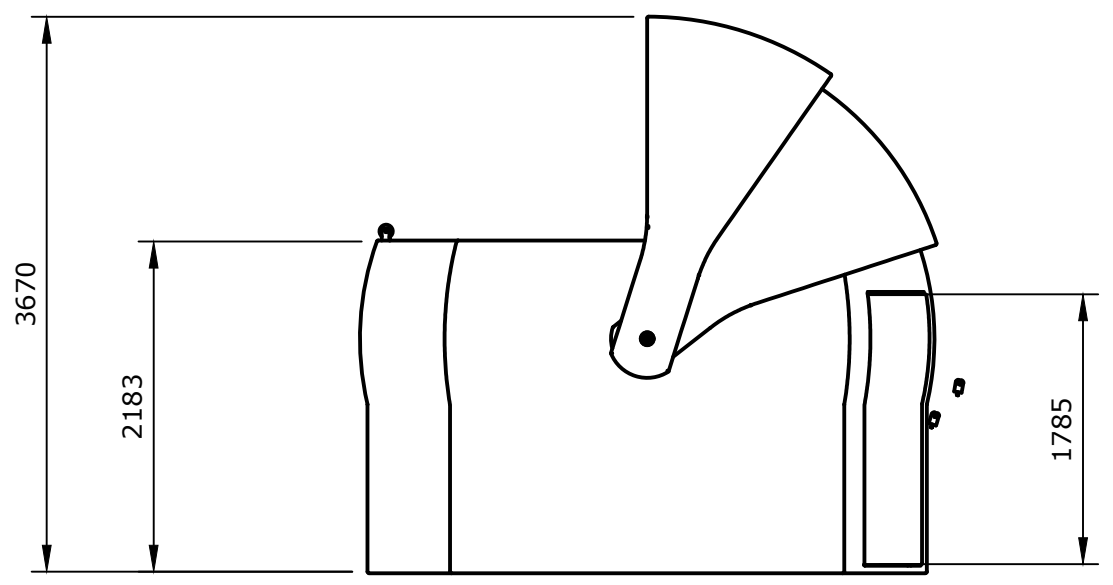


TOLERANCE ISO 2768 - m	REFERENCE	CREATED BY HG	16.07.20	MATERIAL
DOMEPARTS optical		DOKUMENT		DESCRIPTION
		TITLE CLAMSHELL DOME 4.25M		DRAWING NUMBER
Dome Parts GmbH Keltenstraße 2 86517 Wehringen Germany		REV.	DATE OF ISSUE	SHEET 1/2
<small>Content of this technical drawing represents our intellectual property. Utilization and duplication only with express approval of Dome Parts GmbH.</small>				

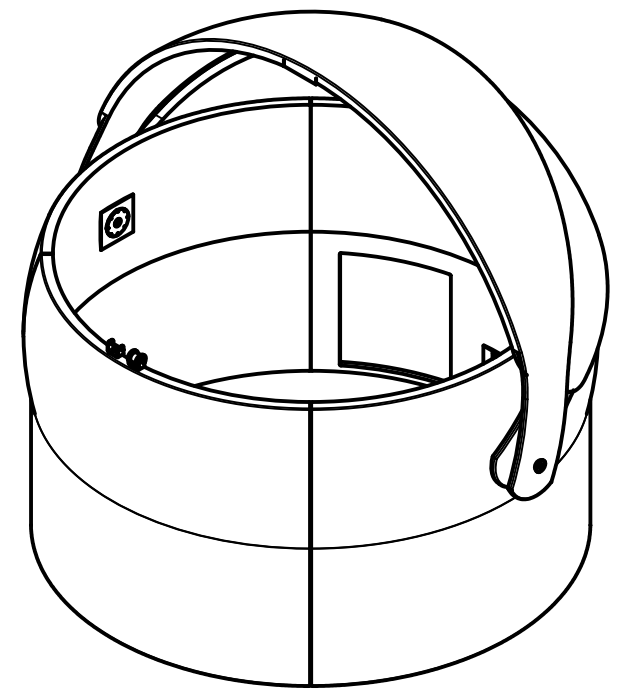
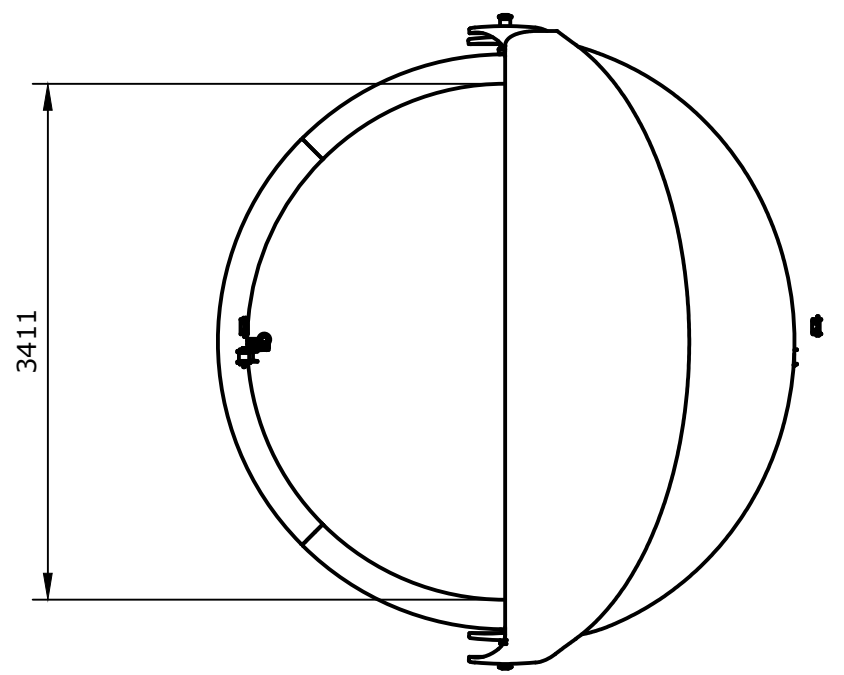
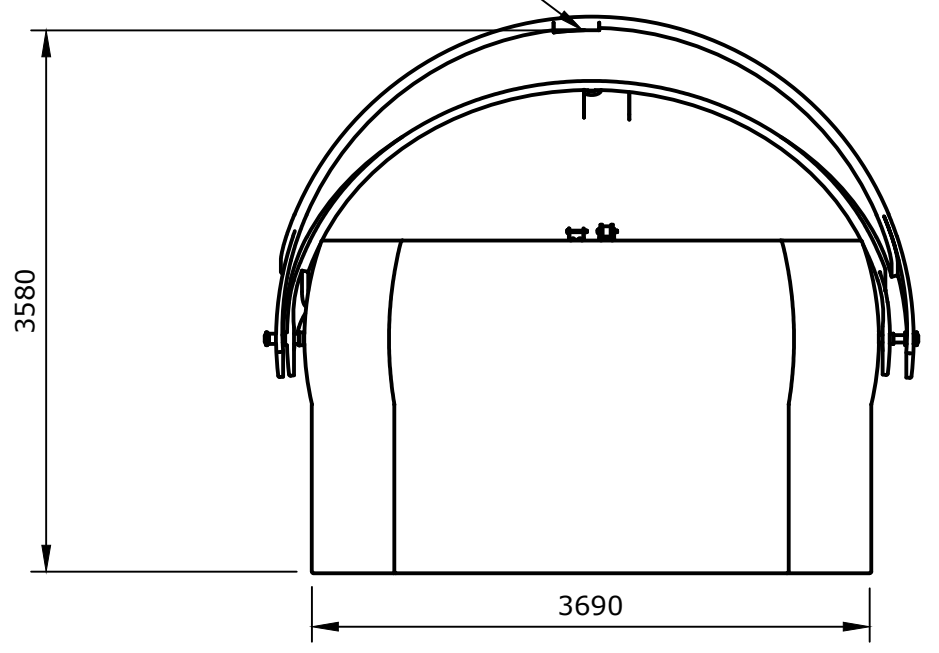
1 2 3 4 5 6 7 8


A
B
C
D
E
F

A
B
C
D
E
F



Maxium internal dome height
wenn flush mounted



TOLERANCE ISO 2768 - m	REFERENCE	CREATED BY HG	16.07.20	MATERIAL
 DOME PARTS optical		DOKUMENT		DESCRIPTION
		TITLE CLAMSHELL DOME 4.25M		DRAWING NUMBER
Dome Parts GmbH Keltenstraße 2 86517 Wehringen Germany		REV.	DATE OF ISSUE	SHEET 2/2
<small>Content of this technical drawing represents our intellectual property. Utilization and duplication only with express approval of Dome Parts GmbH.</small>				

1 2 3 4 5 6 7 8